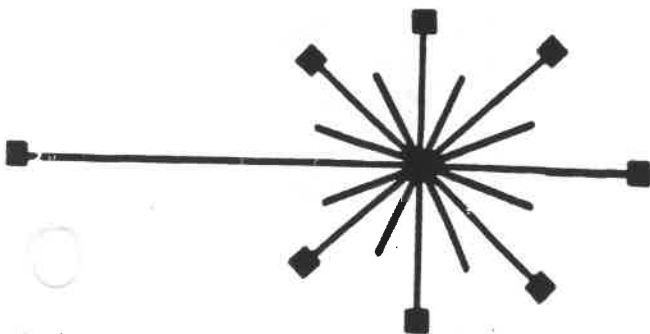


Dixie-Narco[®] INC.

P.O. Box 460 - Lawrence Street
Ranson, West Virginia 25438

(304) 725-3481
(800) 624-0553

PARTS LIST



REDESIGNED
MAGNUM CIRCULAR



July 13, 1989

The beginning serial number for the redesigned Magnum Circular models is-3101AN

However:3102AN was a production run of previous style Magnum Circular venders.

The letters at the end of the serial numbers indicate the quarter and year in which the vender was manufactured.

The date system started in 1976.

Thus,

For a given year the first letter is the quarter i.e.,

A = First Quarter

B = Second Quarter

C = Third Quarter

D = Fourth Quarter

The second letter is the year, i.e.,

A = Year, 1976

B = Year, 1977

C = Year, 1978

D = Year, 1979

E = Year, 1980

F = Year, 1981

G = Year, 1982

H = Year, 1983

I = Year, 1984

J = Year, 1985

K = Year, 1986

L = Year, 1987

M = Year, 1988

N = Year, 1989

O = Year, 1990

P = Year, 1991

Q = Year, 1992

R = Year, 1993

PARTS LIST
CONTENTS

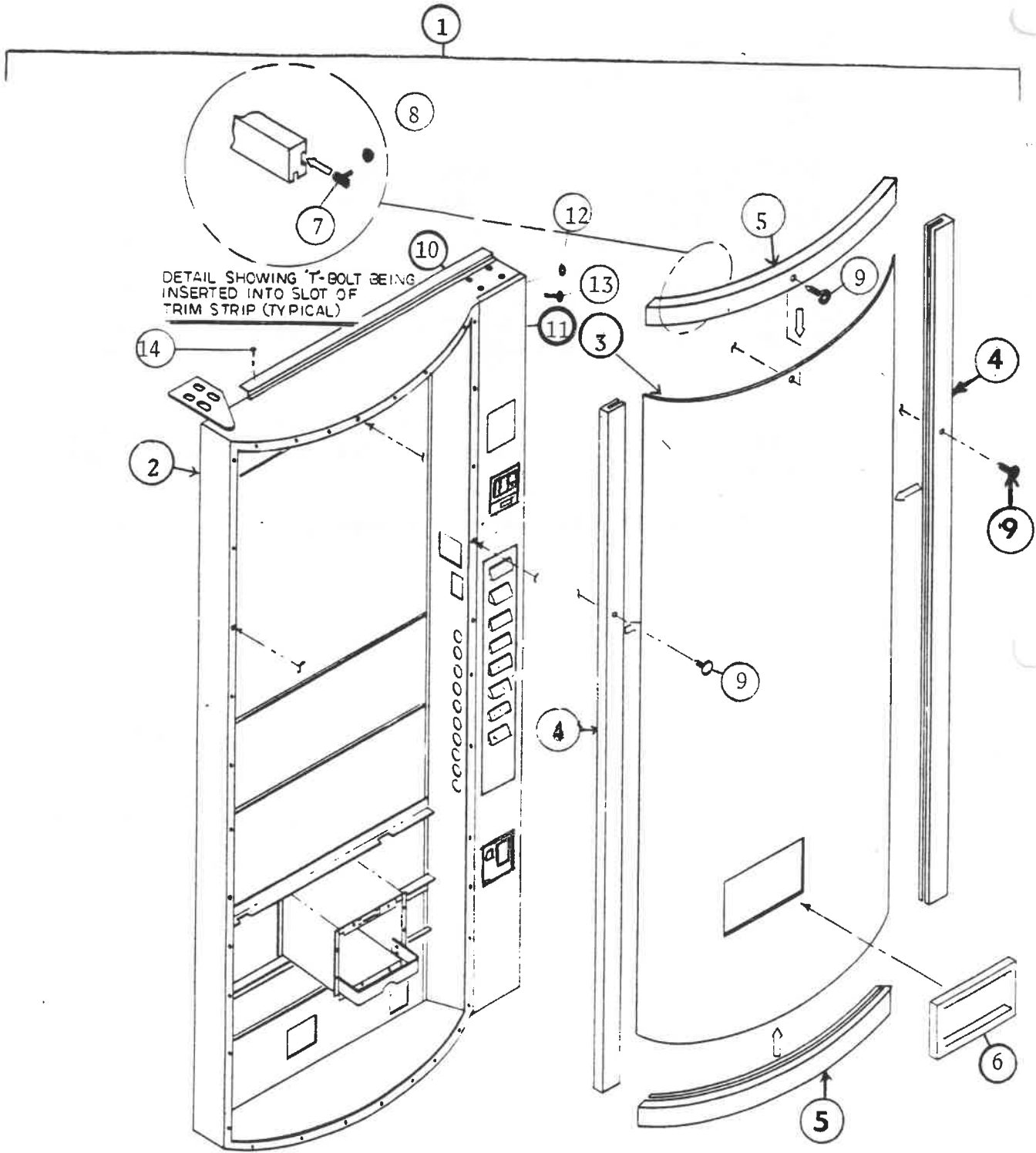
MAIN DOOR ASSEMBLY.....	2
MAIN DOOR WELD ASSEMBLY.....	2
SIGN.....	2
TRIM.....	2
MAIN DOOR INTERIOR PARTS.....	4
CONTROL PANEL ASSEMBLY AND INTERIOR DOOR PARTS.....	6
PULL OUT HANDLE AND COIN INSERT ASSEMBLY.....	8
LIGHT ASSEMBLY.....	10
INNER DOOR ASSEMBLY.....	12
TOP HINGE, BOTTOM HINGE, AND ROLLER ASSEMBLY.....	14
CABINET WIRING HARNESS.....	16
SIDE DECALS AND LATCH STRIKE ASSEMBLY.....	18
DIET PEPSI SIGNS AND SIDE DECALS.....	20

This redesigned Magnum Circular parts list should be used in conjunction with the major parts list dated August 6, 1986 or December 1, 1987.

This parts list will be incorporated in the major parts list at a later date.

*Drilling template For
Pepsi Magnum For P.O.S.
window
(5830.06)*

MAIN DOOR ASSEMBLY
REDESIGNED MAGNUM CIRCULAR



Parts List

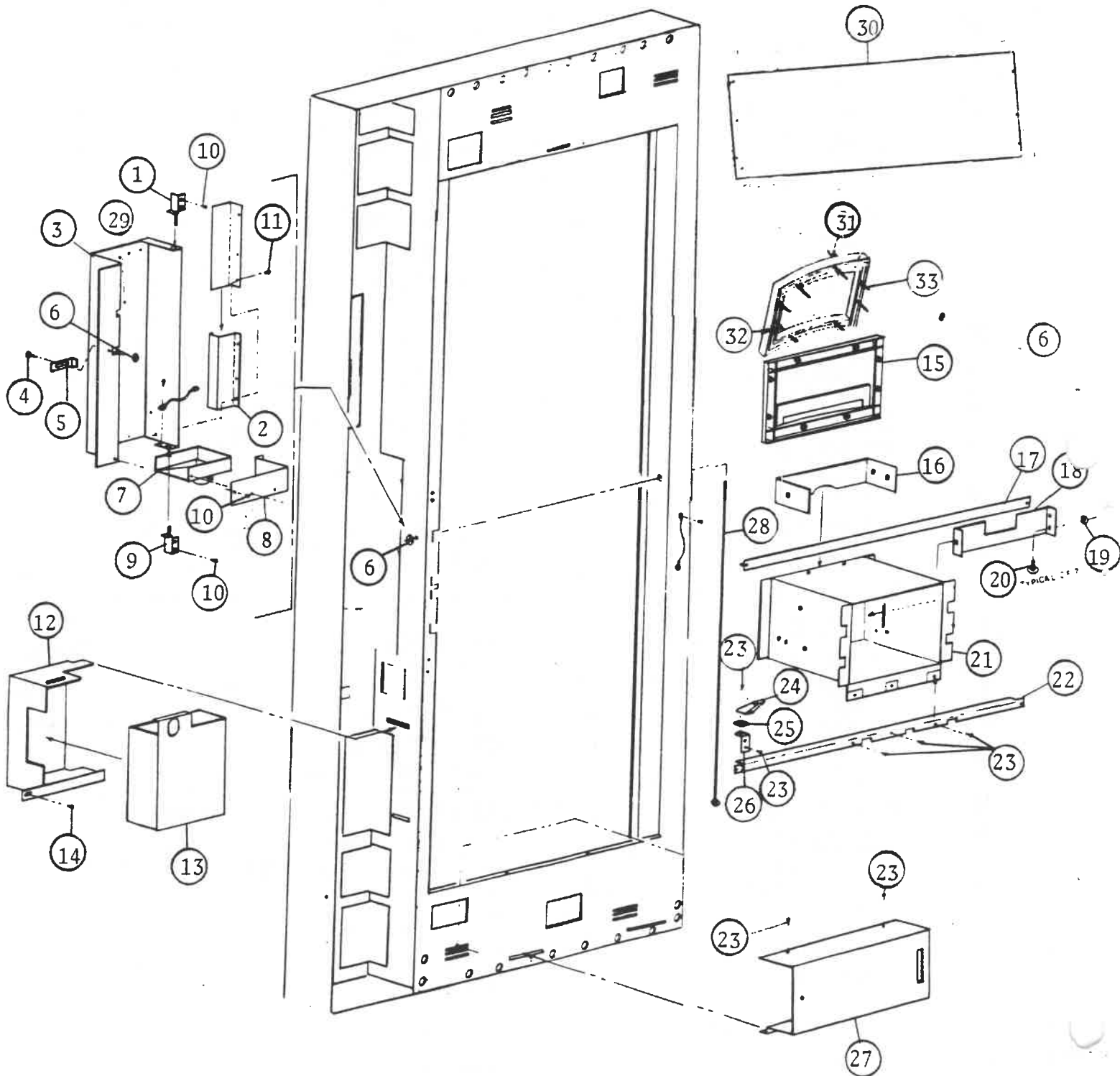
MAIN DOOR ASSEMBLY
REDESIGNED MAGNUM CIRCULAR

DIXIE-NARCO

Item No.	Part Number	Part Name and Description
1A	479,050,000.03	Main Door Assembly -10 Select 79" x 37" Venders
1B	480,051,000.03	Main Door Assembly -8 Select 79" x 37" Venders
1C	481,050,000.03	Main Door Assembly -10 Select 72" x 37" Venders
1D	482,050,000.03	Main Door Assembly -8 Select 72" x 37" Venders
1E	483,050,000.03	Main Door Assembly -10 Select 66" x 37" Venders
1F	484,050,000.03	Main Door Assembly -8 Select 66" x 37" Venders
1G		Main Door Assembly -6 Select 79" x 37" Venders
1H	488,050,000.03	Main Door Assembly -6 Select 72" x 37" Venders
2A	479,050,100.03	Main Door Weld Ass'y.-10 Select 79"x37"Venders
2B	480,050,000.03	Main Door Weld Ass'y.-8 Select 79" x 37"Venders
2C	481,050,100.03	Main Door Weld Ass'y.-10 Select 72"x37"Venders
2D	482,050,200.03	Main Door Weld Ass'y.-8 Select 72" x 37"Venders
2E	483,050,100.03	Main Door Weld Ass'y.-10 Select 66"x37"Venders
2F	484,050,100.03	Main Door Weld Ass'y.-8 Select 72" x 37"Venders
2G		Main Door Weld Ass'y.-6 Select 79" x 37"Venders
2H	488,050.100.03	Main Door Weld Ass'y.-6 Select 72" x 37"Venders
3A	805,006,170.41 <i>805008140d</i>	Pepsi Sign - 79" x 37" Venders <i>CAN ONICE</i>
3B	805,006,180.41 <i>805008150o1</i>	Pepsi Sign - 72" x 37" Venders <i>CAN ONICE</i>
3C	805,006,190.41	Pepsi Sign - 66" x 37" Venders
4A	801,805,470.01 (76 7/16")	Vertical Trim - Left and Right 79" Venders
4B	801,805,470.01 (68 15/16")	Vertical Trim - Left and Right 72" Venders
4C	801,805,470.01 (63 1/4")	Vertical Trim - Left and Right 66" Venders
5	801,805,470.01 (29 1/16")	Horizontal Trim - Top & Bottom - 37" Venders
6	801,602,860.21	Trim, Delivery Port
7	900,400,350.31	T-Bolts #8 x 3/4"
8	900,800,500.01	Keps Nuts 8-32
9	900,902,130.02	Christmas Tree Clips
10	B164,151,142.23	Rain Guard - 37" Venders
11A	164,150,331.23	Protective Plate, Door - 79" Venders
11B	165,150,331.03	Protective Plate, Door - 72" Venders
11C	166,150,331.03	Protective Plate, Door - 66" Venders
12	900,800,670.01	Keps Nut
13	900,210,450.01	Carriage Bolt
14	901,100,460.01	Pop Rivet

WHEN ORDERING PARTS INDICATE MODEL # AND SERIAL # OF VENDER.
ALL PRICES ARE SUBJECT TO CHANGE WITHOUT NOTICE.

MAIN DOOR ASSEMBLY - INTERIOR PARTS
REDESIGNED MAGNUM CIRCULAR



Item No.	Part Number	Part Name and Description
1	A432,050,090.23	Top Access Door Hinge
2A	432,050,900.03	Chute Assembly, Access Door -6 & -8 Venders
2B	479,050,400.03	Chute Assembly, Access Door -10 Venders
3	C432,050,140.53	Access Door <i>432 050 400 04 Assy</i>
4	900,500,261.11	Shoulder Screw
5	A432,050,070.23	Latch
6	900,800,500.01	Keps Nut
7	801,804,300.01	Coin Hopper
8A	453,050,150.23	Hopper Bracket -6 & -8 Venders
8B	479,050,300.13	Hopper Bracket -10 Venders
9	A432,050,460.13	Bottom Hinge
10	900,301,500.01	Screw
11	901,100,460.01	Pop Rivet (Typical of 3)
12A	C432,050,180.93	Cash Box Shelf -6 & -8 Venders
12B	C479,050,060.03	Cash Box Shelf -10 Venders
13	432,051,800.03	Lockable Cash Box
14	900,301,650.01	Self Drilling Screw
15	801,805,500.01	Port Spacer
16	399,050,240.03	Discharge Member
17	B432,050,130.13	Door Stiffener
18	B/M432,012,900.04	Closure Strip Kit <i>(5600 06 door w/ strip)</i>
19	900,800,670.01	Keps Nut
20	900,201,170.01	Carriage Bolt
21	801,806,030.01	ABS Delivery Chute
22	B432,050,060.13	Horizontal Stiffener
23	900,301,500.01	Self Drilling Screw
24	801,501,620.01	Latch Strike
25	801,501,630.01	Latch Plate
26	394,050,110.03	Roller Bracket
27	C399,050,060.13	Ballast Box
28	900,502,510.11	Door Rod
29	900,301,800.01	Screw (Typical of 3) 3/8"
30	453,050,170.01	Center Door Stiffener
31	801,602,860.21	Trim, Delivery Port
32	900,400,350.31	T-Bolts #8 x 3/4" (2 per)
33	900,400,410.01	T-Bolts #8 x 1 3/8" (6 per)

34

900 800 500 01

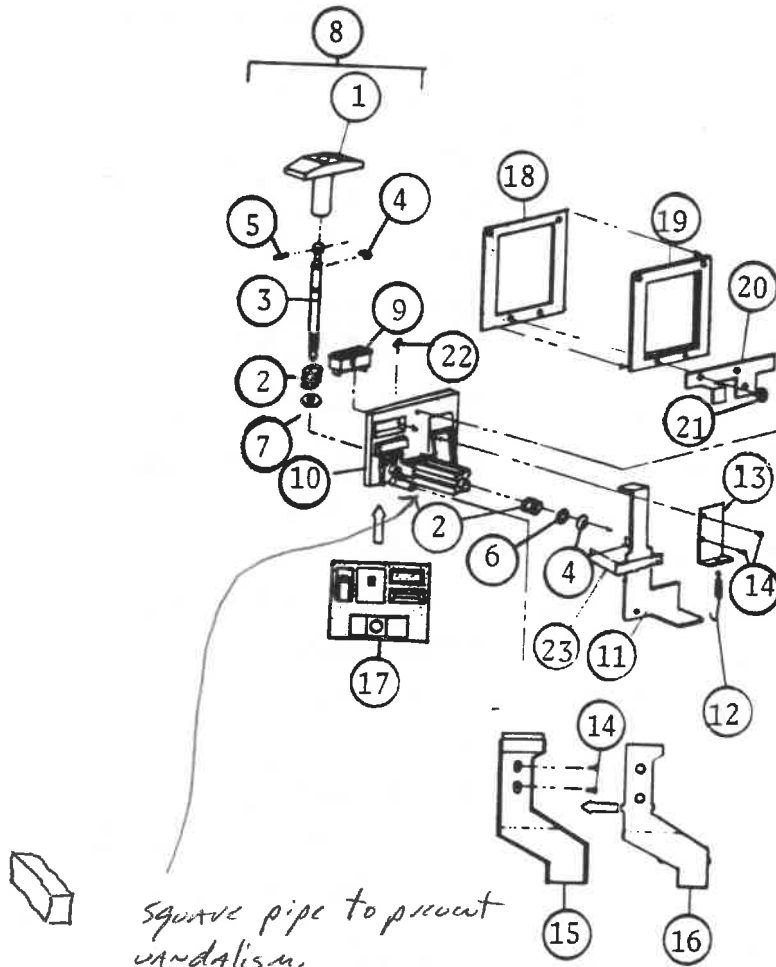
NLT

WHEN ORDERING PARTS INDICATE MODEL # AND SERIAL # OF VENDER.
ALL PRICES ARE SUBJECT TO CHANGE WITHOUT NOTICE.

Item No.	Part Number	Part Name and Description
1	804,200,170.01	Relay
2	900,301,560.01	Screw
3	904,600,620.01	Socket Relay
4	900,800,500.01	Keys Nut
5	A453,050,140.03	Door Strap
6	900,301,500.01	Screws
7	B453,050,160.23	Relay and Changer Socket Bracket
8	904,600,600.01	Changer Socket
9	901,901,890.01	Clamp
10A	420,050,200.03	Control Panel Ass'y -10
10B	399,050,800.03	Control Panel Ass'y -8
10C	427,050,200.03	Control Panel Ass'y -6
11A	420,050,100.03	Control Panel W/A -10
11B	399,050,700.01	Control Panel W/A -8
11C	427,050,100.03	Control Panel W/A -6
12	801,805,110.01	Select Button - Magnum
13	804,700,210.01	Sold Out Lamp
14	900,201,310.01	Screw Select Switch
15	801,804,620.01	Switch Shield & Spring
16	804,100,510.01	Select Switch
17	901,804,540.01	Button Stop
18	900,800,490.01	Nut
19A	365,050,400.63	Control Panel Wiring Harness -10
19B	360,050,400.73	Control Panel Wiring Harness -8
19C	369,050,400.53	Control Panel Wiring Harness -6
20	904,600,670.01	9-Way Plug
21	904,600,830.01	15-Way Plug
22	801,805,610.01	Coin Bezel
23	801,805,530.01	Coin Cup
24	900,201,220.01	Screw
25	900,800,510.01	Stop Nut
26	A399,050,270.03	Reinforcement Plate
	901 991 060 01	cable tie (thick) ltrs
	901 901 000 01	cable tie (thin) control panel

WHEN ORDERING PARTS INDICATE MODEL # AND SERIAL # OF VENDER.
ALL PRICES ARE SUBJECT TO CHANGE WITHOUT NOTICE.

PULL OUT HANDLE AND COIN INSERT ASSEMBLY
REDESIGNED MAGNUM CIRCULAR



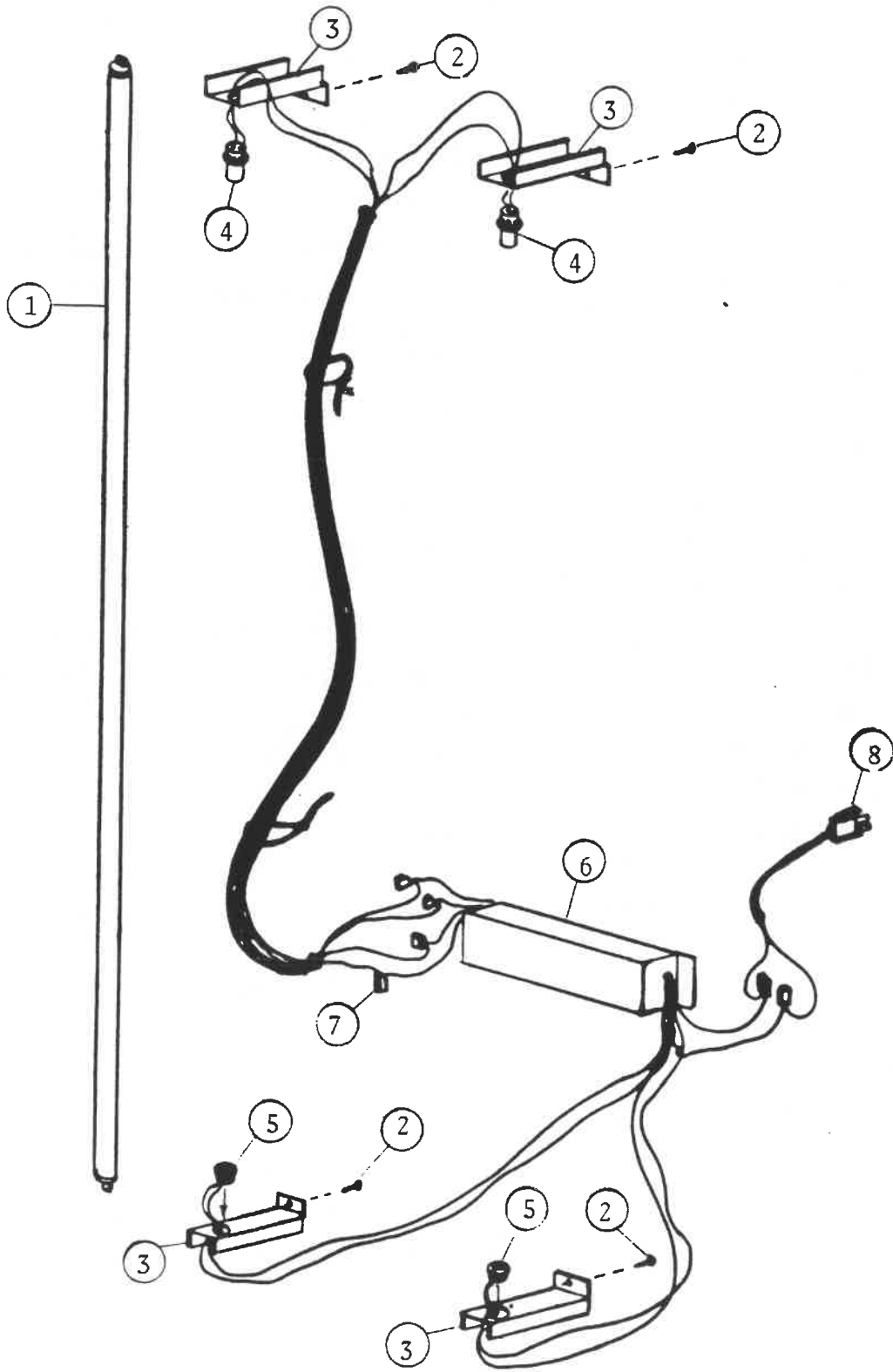
*Square pipe to prevent
vandalism.
I & 1 1/8"
no part #*

PULL OUT HANDLE AND COIN INSERT ASSEMBLY
REDESIGNED MAGNUM CIRCULAR

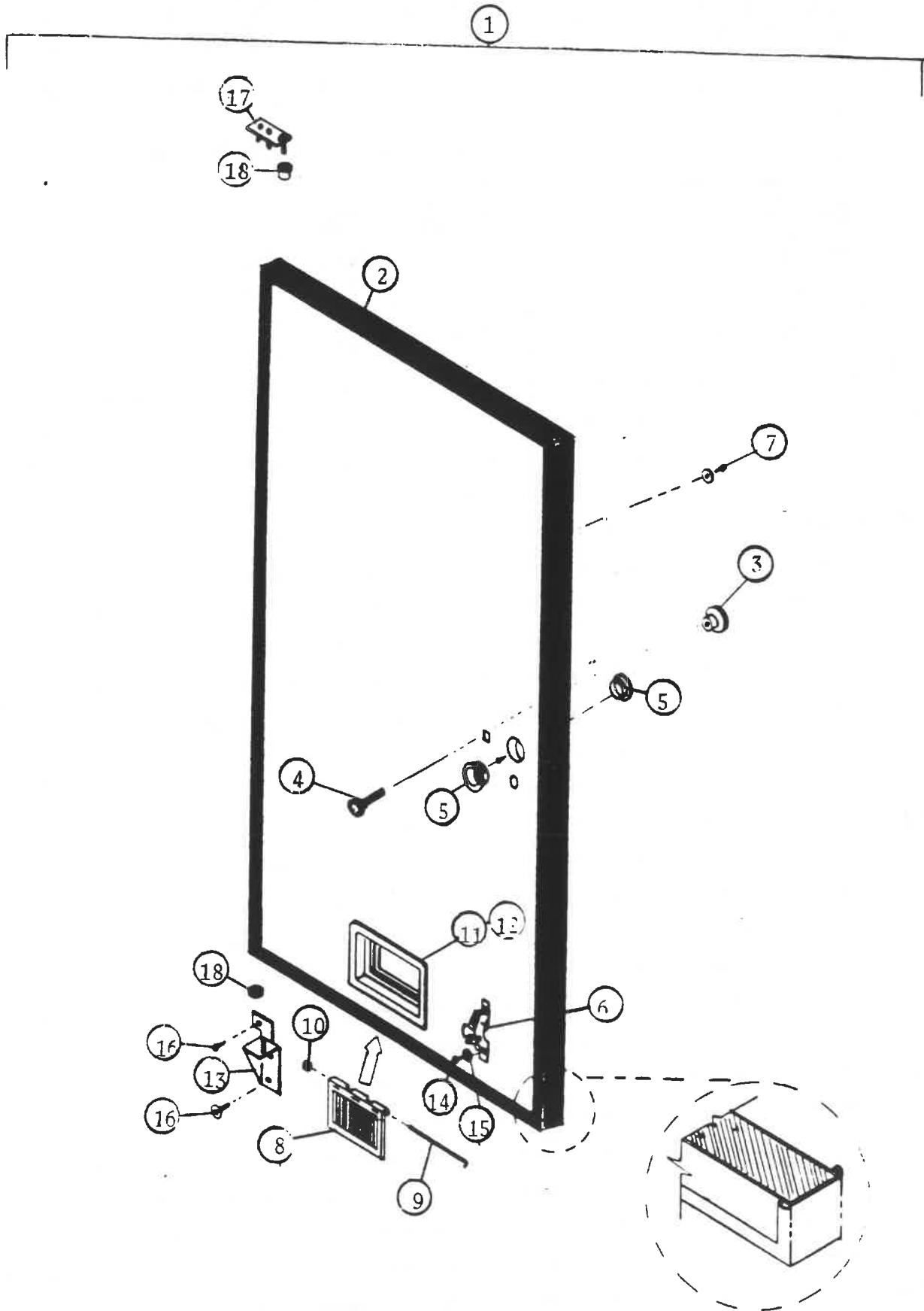
Item No.	Part Number	Part Name and Description
1	4265-2	Handle Only
2	901,503,050.01	Spring
3	4255-6-71	Stud
4	901,503,070.01	E-Ring
5	901,503,090.01	Cross Pin
6	901,503,060.01	Flat Washer
7	901,503,080.01	Hex Washer
8	801,503,040.11	Pull Out Handle Assembly (Includes Items 1-7)
9	904,700,180.21	Correct Change Lamp
10	D801,201,180.11	Coin Insert Only
11	801,303,680.41	Reject Arm
12	901,700,630.11	Spring, Coin Return
13	432,050,570.03	Plunger Bracket
14	900,301,700.13	Sems Screw #6
15	801,805,790.11	Coin Chute
16	801,805,800.11	Cover, Coin Chute
17	453,010,700.03	Coin Insert Assembly (With or Without T-Handle)
18	902,001,020.01	Gasket, Validator
19	B360,050,720.53	Validator Filler
20	453,050,130.33	Coin Insert Retainer
21	900,800,500.01	Keps Nut 8-32
22	900,400,350.31	T-Bolts #8 x 3/4
23	801,806,080.11	Rain Shield
	487 050 090.03	back up plate T handle
	480 050 070.03	coin opening filler plate

WHEN ORDERING PARTS INDICATE MODEL # AND SERIAL # OF VENDER.
ALL PRICES ARE SUBJECT TO CHANGE WITHOUT NOTICE.

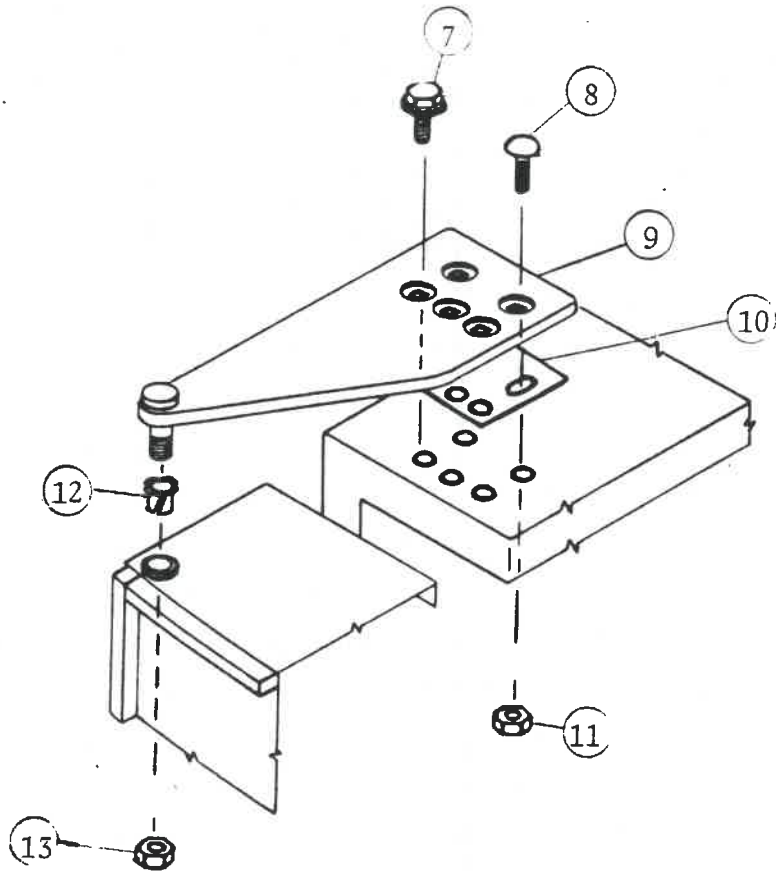
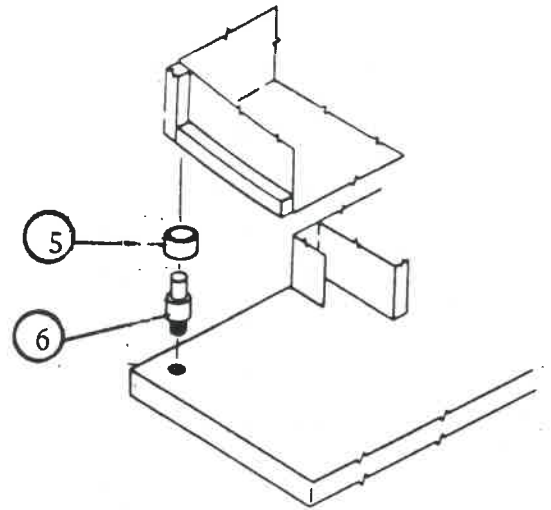
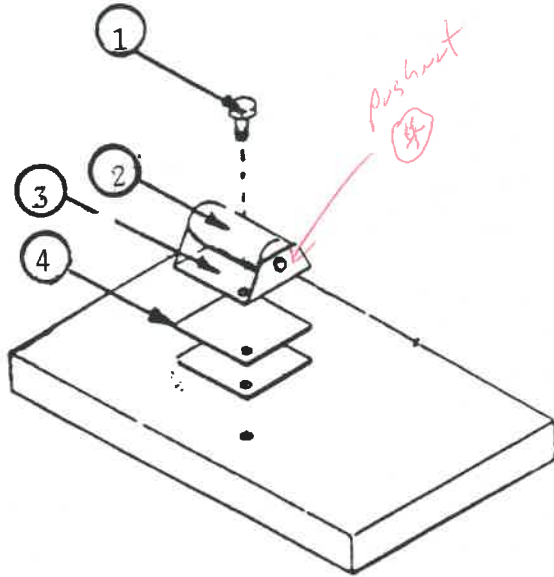
LIGHT ASSEMBLY
REDESIGNED MAGNUM CIRCUALR



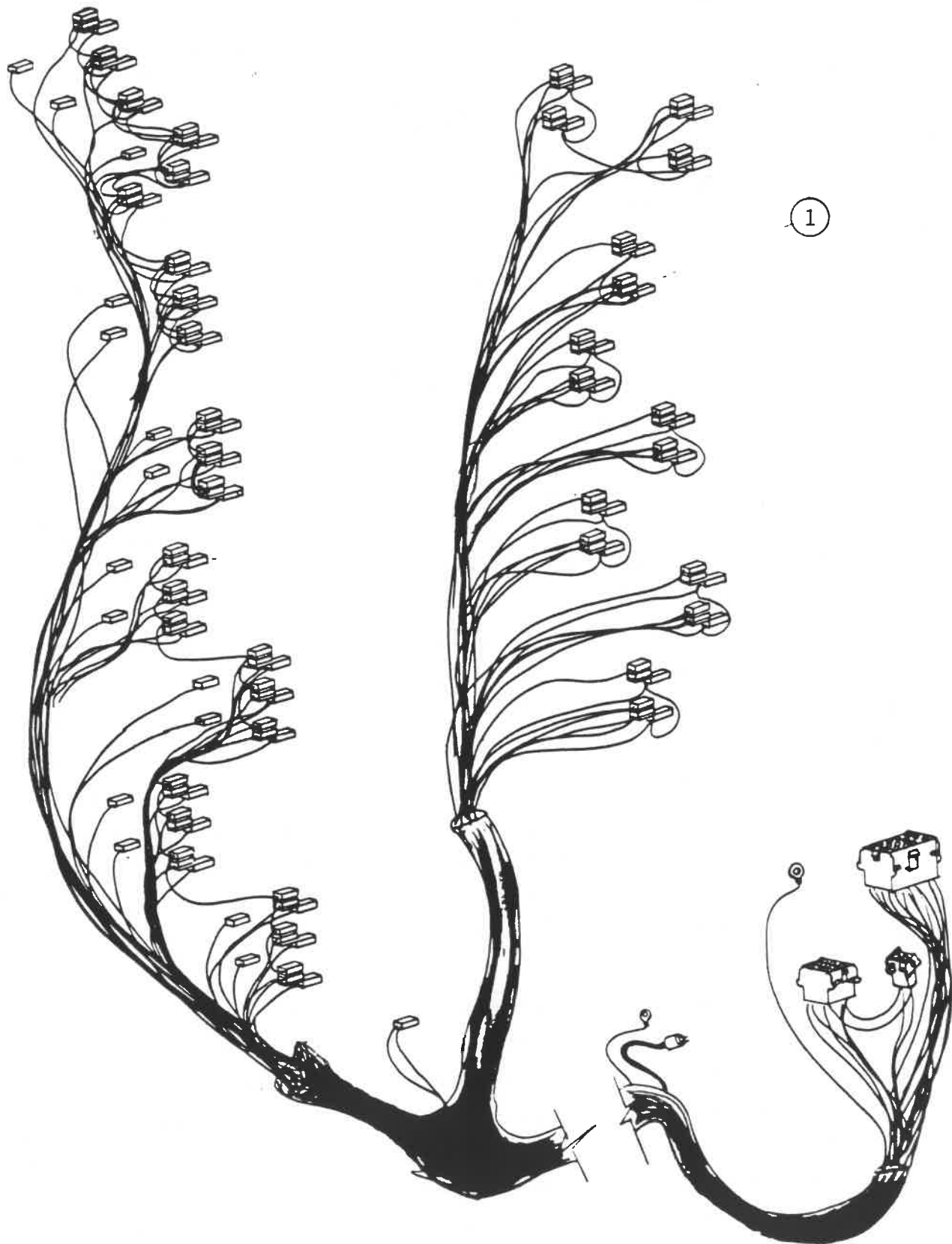
INNER DOOR ASSEMBLY
REDESIGNED MAGNUM CIRCULAR



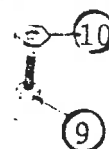
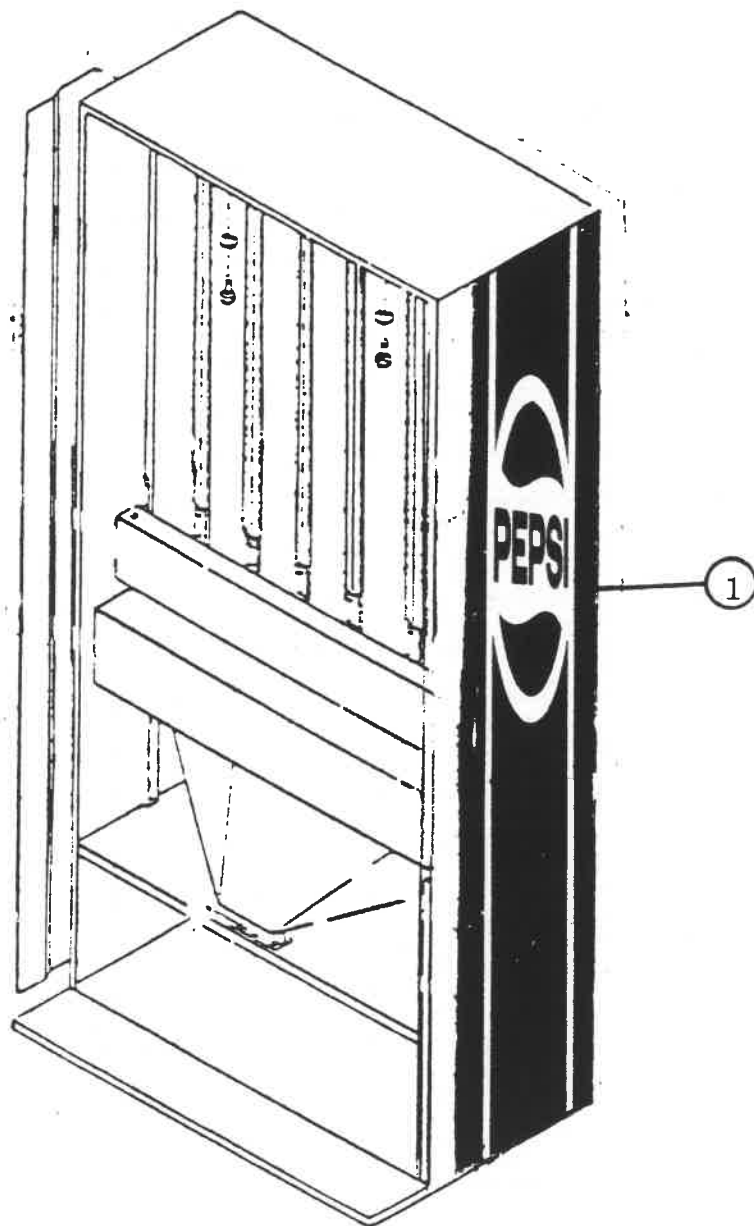
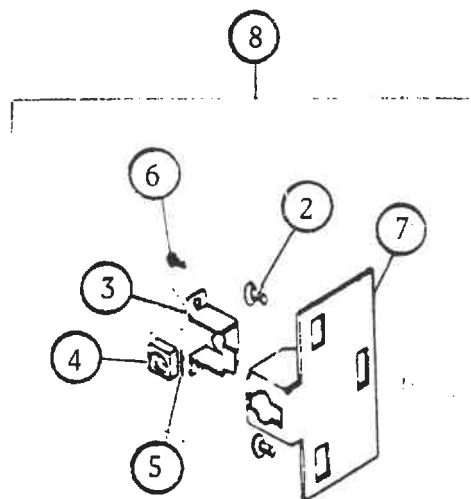
TOP HINGE, BOTTOM HINGE, AND ROLLER ASSEMBLY
REDESIGNED MAGNUM CIRCULAR



CABINET WIRING HARNESS
REDESIGNED MAGNUM CIRCULAR



SIDE DECALS AND LATCH STRIKE ASSEMBLY
REDESIGNED MAGNUM CIRCULAR



DIET PEPSI SIGNS AND SIDE DECALS
REDESIGNED MAGNUM CIRCULAR

